

The tocdata package

v1.00 — 2019/01/12

© 2016–2019 Brian Dunn
bd@BDTechConcepts.com

Optionally prints author, artist, or other data on a line of the TOC / LOF.

Abstract

The `tocdata` package adds information such as an author or artist to an entry in the table of contents or list of figures, on a single line along with the caption and page number. This is commonly done in collections of literature, poetry, or art work.

Either the `titletoc` or `tocloft` package must be loaded before `tocdata`.

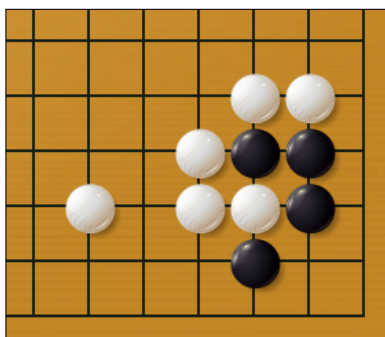
Contents

1	Introduction	<i>Brian Dunn</i>	5
2	Other methods	<i>Various Authors</i>	6
3	How to use tocdata	<i>Brian Dunn</i>	7
3.1	Basic setup		7
3.1.1	Preamble		7
3.1.2	Font control in the TOC / LOF		8
3.2	Mid-level applications		8
3.2.1	Adding toc data per section		8
3.2.2	Adding LOF data per figure		8
3.3	High-level user macros		9
3.3.1	Sectioning commands with authors		9
3.3.2	Figure captions with artist names and add'l text		9
3.3.3	Formatting in sections and figures		10
3.3.4	Text justification		10
4	Implementation	<i>Brian Dunn</i>	12
4.1	Requirements		12
4.2	tocdata code		13
4.3	titletoc support		13
4.4	tocloft support		15
4.5	User-level macros		16
4.5.1	User customization		16
4.5.2	Chapters and sections		18
4.5.3	Figure name alignment		20
4.5.4	Figure text alignment		20
4.5.5	Figures		21

Change History and Index *makeindex* 24

List of Figures

1	The Opening Challenge	<i>Hayashi Genbi</i>	5
2	The Crazy Engineer	<i>H. F. Farny</i>	6
3	Astronometer	<i>John Herschel</i>	7
4	Quail	<i>Alexander Pope</i>	11
5	Diagram of a Sunbeam	<i>Isaac Newton</i>	12
6	Pi — A Work of Art	<i>Greek Alphabet</i>	14
7	Sir Isaac Newton's Astrolabe	<i>Isaac Newton</i>	16
8	Lacquer Go Board	<i>Katsushika Hokusai</i>	23
9	Omega — The End	<i>Greek Alphabet</i>	25



HAYASHI GENBI

Problem 1-2, from *Gokyo Shumyo*

Figure 1: The Opening Challenge

1 Introduction

— *Brian Dunn*

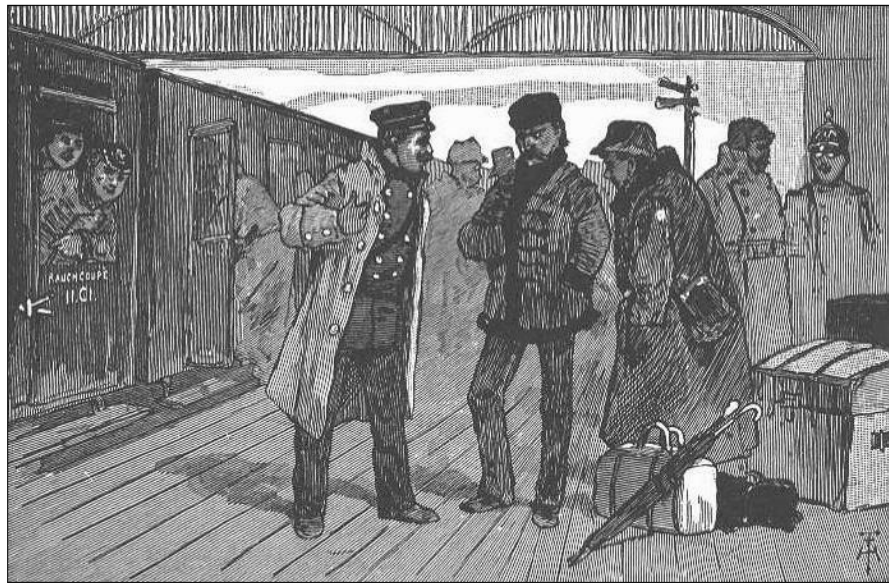
Anthologies may be printed with the author alongside each title in the table of contents.

Many commonly-recommended methods for doing this with \LaTeX , such as those linked to in section 2, place the author above or below the title and page number, but seldom on the same line.

The `tocdata` package provides some basic infrastructure to help add some information to a line in the table of contents, after the title and just before the page number. This function requires the use of either the `titletoc` or `tocloft` packages.

Additionally, user-level macros are provided which add the author's name to a chapter or section, and add the artist's name and optional additional text to a figure. Author and artist names are also added to the index.

As examples of the use of these high-level macros, the major section headings of this documentation have the author's name applied, and additional illustrations are supplied as well. The results are demonstrated in the table of contents, list of figures, and the index.



H. F. FARNY

Illustration from *The Crazy Engineer*

McGuffey's Fifth Eclectic Reader

Figure 2: The Crazy Engineer

2 Other methods

— *Various Authors*

For other methods which place the author on a separate line from the title, see the following.

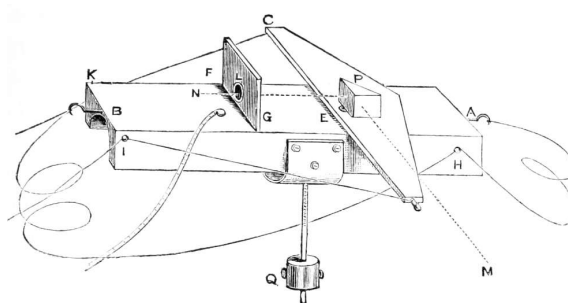
⚠ Too much text!

Note that these methods will be preferable if a larger amount of information is to be placed for each title, such that it usually would not all fit on one line in the table of contents.

[http://tex.stackexchange.com/questions/
47554/add-authors-name-automatically-while-building-toc](http://tex.stackexchange.com/questions/47554/add-authors-name-automatically-while-building-toc)

[http://tex.stackexchange.com/questions/
110218/add-author-before-chapter-title-in-toc](http://tex.stackexchange.com/questions/110218/add-author-before-chapter-title-in-toc)

[http://tex.stackexchange.com/questions/
156862/displaying-author-for-each-chapter-in-book](http://tex.stackexchange.com/questions/156862/displaying-author-for-each-chapter-in-book)



SIR JOHN HERSCHEL, 1ST BARONET KH FRS

Astronomer made to compare the light of certain stars by the intervention of the moon.

Figure 3: Astronomer

3 How to use tocdata

— *Brian Dunn*

This section shows how to use the tocdata package.

There are several layers of macros:

- The lowest level provides the basic infrastructure for inserting information into the table of contents, along with hooks for the titletoc and tocloft packages.
- The intermediate-level macro is `\tocdata`, which may be used to manually add a piece of data to a `\chapter`, `\section`, or `\caption`. `\tocdatafont` is also provided to control the appearance of this data in the TOC/LOF.
- At the highest level is a sample implementation of user-level macros which provides an easy way to create chapters, sections, and figures with associated authors and artists, along with supplemental information for figures, and automatic index entries.

3.1 Basic setup

3.1.1 Preamble

tocdata requires the use of either the tocloft or titletoc package.

In the preamble, use:

```
\usepackage{tocloft}
\usepackage{tocdata}
```

-or-

```
\usepackage{titletoc}
\usepackage{tocdata}
```

 `\dottedcontents`

If using `titletoc`: Note that the user should not use the `\dottedcontents` macro, as this is not patched for use with `tocdata`. Use `\titlecontents` instead, inserting the `\TD@usetocdata` macro as shown below.

3.1.2 Font control in the TOC/LOF

To control the font used for the author on the table-of-contents line, the default is:

```
\newcommand{\tocdatafont}[1]{\normalfont\textit{\small#1}}
```

You may change to other font options, such as:

```
\renewcommand{\tocdatafont}[1]{\normalfont\textsc{\footnotesize#1}}
```

3.2 Mid-level applications

Should the user only wish to add a bit of text into the TOC/LOF, the `\tocdata` macro may be used just before the sectioning or caption command, as shown next.

3.2.1 Adding toc data per section

Before each `\chapter` or `\section` which is to have an author or other data:

```
\tocdata{toc}{Author's Name}
\chapter{Chapter Title} -or- \section{Section Title}
```

3.2.2 Adding LOF data per figure

Before each `\caption` which is to have an artist:


```
\tocdata{lof}{Artist's Name}
\caption{Figure Title}
```

You may wish to print the artist's name in the figure as well.

3.3 High-level user macros

Additional macros are given in section 4.5. These are user-level sectioning and captioning commands which add the names to the TOC and LOF, and also add the artist's name and optional additional text to a figure (as in Figure 4), and also add the names to the index. An optional prefix and suffix may be attached to the names (as in Figure 3), and these will be printed at the section heading or caption, but not in the TOC/LOF or in the index.

These macros may be ignored or modified as needed.

3.3.1 Sectioning commands with authors

`\chapterauthor` To use these macros, do not use `\tocdata` as shown above, but instead use, in the place of `\chapter`:

```
\chapterauthor[\TOC\ entry]{Title}[Prefix]{First}{Last}[Suffix]
```

`\sectionauthor` or, in the place of `\section`:

```
\sectionauthor[\TOC\ entry]{Title}[Prefix]{First}{Last}[Suffix]
```

3.3.2 Figure captions with artist names and add'l text

`\captionartist` For figures, in the place of `\caption`:

```
\captionartist[\LOF\ entry]{Title}[Text][Prefix]{First}{Last}[Suffix]
```

Optional arguments

If you are using the optional prefix, the optional text must also be given, even if it is empty. For example, use:

```
\captionartist{Title}|\textcolor{red}{|[]|}|[Sir]{Isaac}{Newton}
```

If only one optional argument is given before the first name, it will be interpreted as the optional text, not as the optional prefix.

`\captionartist*` If you are using the `caption` package or another package which supports `\caption*`, you may use `\captionartist*` with `tocdata`. The artist and supplemental text will still be printed below the figure, and an unnumbered caption will be generated, even though a LOF entry will not be made.



caption package

Should you mistakenly use `\captionartist*` without the `caption` package, expect to get a caption with a visible star in it. To fix the problem:

```
\usepackage{caption}
```

3.3.3 Formatting in sections and figures

`\tocdatachapprint` To change the formatting of the author names printed after each chapter or section, or to remove them entirely, use these macros, as described in section 4.5 on page 16.

`\tocdatasecprint`

`\tocdatafigprint` To change the formatting of a figure's artist's name and optional text, use these macros, also described in section 4.5.

`\tocdatafigtextprint`

3.3.4 Text justification

`\tdnamejustify` To change the text justification of the name below a figure, use one of the `tdname` macros before the figure. All following figures use the selected justification until it is changed to another.

`\tdnamecenter`

`\tdnameleft`

`\tdnameright`

`\tdtextjustify` To change the text justification of the additional text below a figure, use one of the `tdtext` macros before the figure. All following figures use the selected justification until it is changed to another.

`\tdtextcenter`

`\tdtextleft`

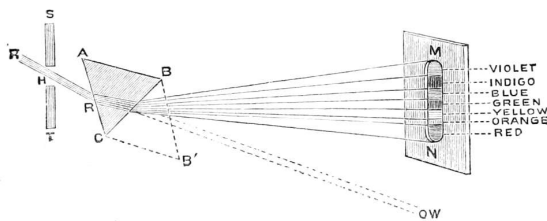
`\tdtextright`



ALEXANDER POPE

Illustration from *About Quail*
McGuffey's Fifth Eclectic Reader

Figure 4: Quail



SIR ISAAC NEWTON

Figure 5: Diagram of a Sunbeam

4 Implementation

— *Brian Dunn*

Below, the `tocdata` code section contains the low-level code used to place the data into the table of contents and list of figures, as well as the code to control the font used while doing so.

Next are sections used to support `titletoc` and `tocloft`.

Finally, the high-level macros are provided. The user may ignore or redefine these as desired.

4.1 Requirements

```
1 \RequirePackage{xparse}
2 \RequirePackage{etoolbox}
```

Test for either `titletoc` or `tocloft`.

```
3 \ifpackageloaded{titletoc}{
4   \ifpackageloaded{tocloft}{
5     \PackageError{tocdata}
6       {Both titletoc and tocloft are being used. Load only one}
7       {The tocdata package requires either one of titletoc or tocloft.}
8   }{}
9 }{% Not titletoc.
10  \ifpackageloaded{tocloft}{}{
11    \PackageError{tocdata}
12      {
13        The tocdata package requires either the tocloft or titletoc package%
14      }
15    {Load either, then load tocdata next.}
```

```
16   }
17 }
```

4.2 tocdata code

`\TD@thistocdata` Storage for the data to be added to the end of the toc entry:

```
18 \newcommand{\TD@thistocdata}{}

```

`\settocdata` Written to the .toc or .lof file, assigns `\thistocdata`:

```
19 \newcommand{\settocdata}[1]{\renewcommand{\TD@thistocdata}{#1}}

```

`\tocdata` `{<toc or lof>}{<text>}`

To be called by a higher-level macro to assign data to a .toc or .lof file:

```
20 \newcommand{\tocdata}[2]{%
21   \@bsphack\addtocontents{#1}{\protect\settocdata{#2}}\@esphack%
22 }

```

`\tocdatafont` `{<text>}`

Controls the font for the toc data.

`\renewcommand{\tocdatafont}[1]{\textit{#1}}`, etc.

```
23 \newcommand{\tocdatafont}[1]{\normalfont\textit{\small#1}}

```

`\TD@usetocdata` To be inserted into low-level toc-generation code where the data should appear.

See the example using `titletoc`, below.

Prints the data, then clears the storage so it is not printed again.

```
24 \newcommand{\TD@usetocdata}{%
25   \tocdatafont{\TD@thistocdata}%
26   \global\def\TD@thistocdata{}%
27 }

```

4.3 titletoc support

If `titletoc` is loaded, patch macros for its use:

```
28 \ifpackageloaded{titletoc}{

```

$$\pi$$

GREEK ALPHABET

Figure 6: Pi — A Work of Art

`\titlecontents` A set of `titletoc` commands which set up the formatting of the toc entries. These are patched to include the `tocdata` just after the leader (`titlerule*`), and just before the page number.

These macros also include spacing commands, and thus may need to be redefined by the user.



`\dottedcontents` Note that the user should not use the `\dottedcontents` macro, as this is not patched for use with `tocdata`. Use `\titlecontents` instead, inserting the `\TD@usetocdata` macro as shown below.

```
29 \@ifundefined{chapter}
30 {}
31 {
32 \titlecontents{chapter}[0em]{}{\contentslabel{2.5em}}{}{%
33 % \dotfill
34 \titlerule* [.75pc]{.}%
35 %
```

The new patch goes here:

```
36 \TD@usetocdata% <-- newly added for the tocdata package
37 %
38 \contentspage}{\vspace{-.5ex}}%
39 }
```

Likewise for sections:

```
40 \titlecontents{section}[2.5em]{}{\contentslabel{2.5em}}{}{%
41 % \dotfill
42 \titlerule* [.75pc]{.}%
43 \TD@usetocdata%
44 \contentspage}{\vspace{-.5ex}}%
```

Likewise for figures:

```
45 \titlecontents{figure}[0em]{}{\contentslabel{3em}}{}{%
46 % \dotfill
47 \titlerule* [1pc]{.}%
48 \TD@usetocdata%
49 \contentspage}{\vspace{-.5ex}}%
```

```
50}% end of titletoc loaded
51{% titletoc is not loaded
52}% end of \@ifpackageloaded{titletoc}
```

4.4 tocloft support

If `tocloft` is loaded, the following patches are applied:

```
53 \@ifpackageloaded{tocloft}
54 {
```

If the documentclass includes a chapter level:

```
55 \if@cfthaschapter
```

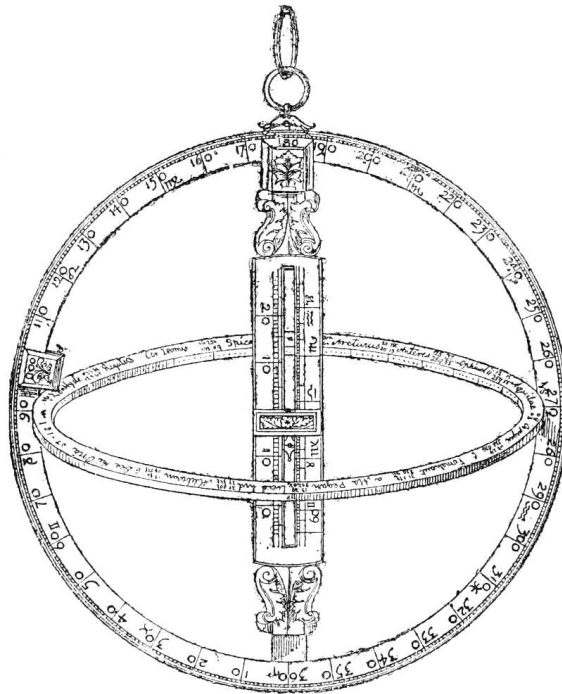
`\cftXleader` A set of commands used by `\tocloft` to typeset the leader between the title and the page number. These are patched to print the `tocdata` just after the leader.

```
56 \renewcommand{\cftchapleader}{\bfseries\cftdotfill{\cftchapdotsep}\TD@usetocdata}
57 \renewcommand{\cftsecleader}{\normalfont\cftdotfill{\cftsecdotsep}\TD@usetocdata}
58 \renewcommand{\cftfigleader}{\normalfont\cftdotfill{\cftfigdotsep}\TD@usetocdata}
59 \else
```

If there is no chapter level:

```
60 \renewcommand{\cftsecleader}{\bfseries\cftdotfill{\cftsecdotsep}\TD@usetocdata}
61 \renewcommand{\cftfigleader}{\normalfont\cftdotfill{\cftfigdotsep}\TD@usetocdata}
62 \fi
63}% end of tocloft patches
64{ }% tocloft not loaded
```

It is possible to patch the regular \LaTeX code here. Look at `book.cls` and `article.cls`, for the macros `\l@chapter` and `\l@section`, and look in the \LaTeX source2e.pdf for `\dottedtocline`.



SIR ISAAC NEWTON

Figure 7: Sir Isaac Newton's Astrolabe

4.5 User-level macros

Example user-level macros follow.

These macros are in addition to the standard sectioning and caption commands, adding first and last names for the table of contents and list of figures. For chapters and sections, the author's name with optional prefix and suffix are also added below the title. For figures, `\captionauthor` also prints the figure's artist's name with optional prefix and suffix just below the figure.

The regular sectioning and caption commands may still be used for anything which does not have an author/artist name.

4.5.1 User customization

`\TD@optionalname` $\{\langle name \rangle\}$

Adds optional artist's name and the following space.

```
65 \newcommand{\TD@optionalname}[1]
66 {%
67   \ifblank{#1}%
68   {}%
69   {#1~}%
70 }
```

`\tocdatachapprint` $\langle prefix \rangle \langle first \rangle \langle last \rangle \langle suffix \rangle$

User-redefinable macro to print the author's name underneath the chapter title.

```
71 \ifundefined{chapter}
72 {}% if no chapters
73 {% only of chapters exists in this documentclass:
74 \newcommand{\tocdatachapprint}[4]
75 {%
76   \newline\noindent{\normalfont\normalsize\textit{\hspace*{2em}--- %
77   \TD@optionalname{#1}\TD@optionalname{#2}#3#4}}%
78 }
79 }% end of chapters-only
```

To remove the author's name, redefine this as a null function taking four arguments:

```
\renewcommand{\tocdatachapprint}[4]{}
```

`\tocdatasecprint` $\langle prefix \rangle \langle first \rangle \langle last \rangle \langle suffix \rangle$

User-redefinable macro to print the author's name underneath the section title.

```
80 \newcommand{\tocdatasecprint}[4]
81 {%
82   \newline\noindent{\normalfont\normalsize\textit{\hspace*{2em}--- %
83   \TD@optionalname{#1}\TD@optionalname{#2}#3#4}}%
84 }%
85 }
```

To remove the author's name, redefine this as a null function taking four arguments:

```
\renewcommand{\tocdatasecprint}[4]{}
```

`\tocdatafigprint` $\langle prefix \rangle \langle first \rangle \langle last \rangle \langle suffix \rangle$

User-redefinable macro to print the artist's name underneath the figure.

```

86 \newcommand{\tocdatafigprint}[4]{%
87   \addvspace{2ex}%
88   \begin{minipage}{\linewidth}%
89   \TD@namealign%
90   \footnotesize\textsc{\TD@optionalname{#1}\TD@optionalname{#2}#3#4}}%
91   \end{minipage}%
92   \par%
93   \addvspace{2ex}%
94 }

```

To remove the artist's name, redefine this as a null function taking four arguments:

```
\renewcommand{\tocdatafigprint}[4]{}
```

```
\tocdatafigtextprint {<first>} {<last>}
```

User-redefinable macro to print the artist's name underneath the figure.

```

95 \newcommand{\tocdatafigtextprint}[1]{%
96   \addvspace{2ex}%
97   \begin{minipage}{\linewidth}%
98   \TD@textalign%
99   \footnotesize%
100  \setlength{\parskip}{1.5ex}%
101  \setlength{\parindent}{0em}%
102  #1%
103  \end{minipage}%
104  \par%
105  \addvspace{2ex}%
106 }

```

4.5.2 Chapters and sections

```
\chapterauthor * [<2: toc entry>] {<3: title>} [<4: prefix>] {<5: first>} {<6: last>} [<7: suffix>]
```

```

107 \ifundefined{chapter}
108 {}% if no chapters
109 {% only of chapters exists in this documentclass:
110 \NewDocumentCommand{\chapterauthor}{s o m O{} m m O{}}{%

```

The starred version does not create a toc entry, so it is used as-is:

```

111 \IfBooleanTF{#1}%
112   {% star:
113     \chapter*{#3\tocdatachapprint{#4}{#5}{#6}{#7}}%
114   }%

```

The un-starred version appears in the toc, so add the author's name:

```
115     {% no star:
116         \tocdata{toc}{#5 #6}%
```

Create the chapter depending on the optional name:

```
117         \IfValueTF{#2}%
118             {\chapter[#2]{#3\tocdatachapprint{#4}{#5}{#6}{#7}}}%
119             {\chapter[#3]{#3\tocdatachapprint{#4}{#5}{#6}{#7}}}%
120         }%
```

Create an index entry depending on whether there is a first name:

```
121     \ifblank{#5}%
122         {\index{#6}}%
123         {\index{#6, #5}}%
124 }% end of \chapterauthor
125 }% end of \@ifundefined{chapter}
```

```
\sectionauthor * [⟨2: toc entry⟩] {⟨3: title⟩} [⟨4: prefix⟩] {⟨5: first⟩} {⟨6: last⟩} [⟨7: suffix⟩]
```

```
126 \NewDocumentCommand{\sectionauthor}{s o m O{} m m O{} }{%
```

The starred version does not create a toc entry, so it is simply used as-is:

```
127     \IfBooleanTF{#1}%
128     {% star:
129         \section*{#3\tocdatasecprint{#4}{#5}{#6}{#7}}%
130     }%
```

The un-starred version appears in the toc, so add the author's name:

```
131     {% no star:
132         \tocdata{toc}{#5 #6}%
```

Create the section depending on the optional name:

```
133         \IfValueTF{#2}%
134             {\section[#2]{#3\tocdatasecprint{#4}{#5}{#6}{#7}}}%
135             {\section[#3]{#3\tocdatasecprint{#4}{#5}{#6}{#7}}}%
136     }% no star
```

Create an index entry depending on whether there is a first name:

```
137     \ifblank{#5}%
138         {\index{#6}}%
```

```
139      {\index{#6, #5}}%  
140 }
```

4.5.3 Figure name alignment

`\TD@namealign` Sets text alignment in the optional text.

```
141 \newcommand{\TD@namealign}{\centering}
```

`\tdnamejustify` Sets justified text alignment in the optional text.

```
142 \newcommand{\tdnamejustify}{%  
143   \renewcommand{\TD@namealign}{}%  
144 }
```

`tdnamecenter` Sets centered text alignment in the optional text.

```
145 \newcommand{\tdnamecenter}{%  
146   \renewcommand{\TD@namealign}{\centering}%  
147 }
```

`tdnameleft` Sets left text alignment in the optional text.

```
148 \newcommand{\tdnameleft}{%  
149   \renewcommand{\TD@namealign}{\raggedright}%  
150 }
```

`tdnameright` Sets right text alignment in the optional text.

```
151 \newcommand{\tdnameright}{%  
152   \renewcommand{\TD@namealign}{\raggedleft}%  
153 }
```

4.5.4 Figure text alignment

`\TD@textalign` Sets text alignment in the optional text.

```
154 \newcommand{\TD@textalign}{\centering}
```

`\tdtextjustify` Sets justified text alignment in the optional text.

```
155 \newcommand{\tdtextjustify}{%
```

```
156 \renewcommand{\TD@textalign}{}%
157 }
```

`tdtextcenter` Sets centered text alignment in the optional text.

```
158 \newcommand{\tdtextcenter}{%
159 \renewcommand{\TD@textalign}{\centering}%
160 }
```

`tdtextleft` Sets left text alignment in the optional text.

```
161 \newcommand{\tdtextleft}{%
162 \renewcommand{\TD@textalign}{\raggedright}%
163 }
```


`tdtextright` Sets right text alignment in the optional text.

```
164 \newcommand{\tdtextright}{%
165 \renewcommand{\TD@textalign}{\raggedleft}%
166 }
```

4.5.5 Figures

```
\captionartist * [2: LOF entry] {3: title} [4: supplemental text] [5: prefix] {6: first}
{7: last} [8: suffix]
```

This macro adds optional supplemental text, which will be printed below the artist's name and above the caption, presuming that the caption is generated below the figure.

 **Optional arguments** If using the optional prefix, the optional text must also be given, even if it is empty. For example, use:

```
\captionartist{Title}|\textcolor{red}{|[]|}|[Sir]{Isaac}{Newton}
```

If only one optional argument is given before the first name, it will be interpreted as the optional text, not as the optional prefix.

```
167 \NewDocumentCommand{\captionartist}{s o m +O{} O{} m m O{}}{%
```

Print the artist's name next to the figure:

```
168 \par\addvspace{\medskipamount}%
169 \tocdatafigprint{#5}{#6}{#7}{#8}%
```

If supplemental text is provided, print it below the author:

```
170 \ifblank{#4}%
171   {}%
172   {\par\tocdatafigtextprint{#4}}%
```

Remove any existing vertical space and only use `\caption`'s built-in spacing:

```
173 \unskip%
```

If starred, there should be no TOC entry, so do not add `tocdata`. Use `\caption*` from the `caption` or similar packages.

```
174 \IfBooleanTF{#1}%
175   {% starred
176     \IfValueTF{#2}{\caption*{#2}{#3}}{\caption*{#3}}%
177   }% starred
178   {% not starred
```

No starred, so remember the artist's name for inclusion in the LOF:

```
179 \tocdata{lof}{#6 #7}%
```

Create the caption depending on the optional name:

```
180 \IfValueTF{#2}{\caption[#2]{#3}}{\caption{#3}}%
181   }% not starred
```

Create an index entry depending on whether there is a first name:

```
182 \ifblank{#6}%
183   {\index{#7}}%
184   {\index{#7, #6}}%
185 }
```



KATSUSHIKA HOKUSAI

From the series *Uma Zukushi*.

Figure 8: Lacquer Go Board

Change History

v0.10	alignment.	20
General: 2016/05/05 Initial ver.	\tocdatachaprint: Improved	
v0.11	spacing.	17
General: 2016/07/11	\tocdatafigprint: Added name	
Minor docs improvements in	alignment.	17
spelling, grammar, formatting.	Improved spacing.	17
v0.12	\tocdatafigtextprint: Added text	
\captionartist: Allows paragraphs	alignment.	18
in add'l text.	Improved spacing.	18
Expands first name before index	\tocdatasecprint: Improved	
check.	spacing.	17
\chapterauthor: Expands first name	General: 2016/12/02	1
before index check.	Added requirement for xifthen.	12
\sectionauthor: Expands first name	v1.00	
before index check.	General: 2019/01/12	1
\tdnamejustify: etc. Added name	Improved source formatting.	1
alignment.	Remove xifthen dependency.	12
\tdtextjustify: etc. Added text	Test for titletoc or tocloft.	12

Index

Numbers written in *italic* refer to the page where the corresponding entry is described; numbers underlined refer to the code line of the definition; numbers in *roman* refer to the code lines where the entry is used.

A		H	
Alphabet, Greek	14, 25	Herschel, John	7
Authors, Various	6	Hokusai, Katsushika	23
C		N	
\captionartist	<i>9, 167</i>	Newton, Isaac	12, 16
\captionartist*	<i>10</i>		
\cftXleader	<i>15</i>	P	
\chapterauthor	<i>9, 107</i>	Pope, Alexander	11
D		S	
Dunn, Brian	5, 7, 12	\sectionauthor	<i>9, 126</i>
F		\settocdata	<u>19</u>
Farny, H. E.	6	T	
G		\TD@namealign	<u>141</u>
Genbi, Hayashi	5	\TD@optionalname	<u>65</u>
		\TD@textalign	<u>154</u>

<code>\TD@thisocdata</code>	<u>18</u>	<code>\tdextright</code>	<i>10</i> , <u>164</u>
<code>\TD@usetocdata</code>	<u>24</u>	<code>\titlecontents</code>	<i>14</i>
<code>\tdnamecenter</code>	<i>10</i> , <u>145</u>	<code>\tocdata</code>	<u>20</u>
<code>\tdnamejustify</code>	<i>10</i> , <u>142</u>	<code>\tocdatachapprint</code>	<i>10</i> , <u>71</u>
<code>\tdnameleft</code>	<i>10</i> , <u>148</u>	<code>\tocdatafigprint</code>	<i>10</i> , <u>86</u>
<code>\tdnameright</code>	<i>10</i> , <u>151</u>	<code>\tocdatafigtextprint</code>	<i>10</i> , <u>95</u>
<code>\tdtextcenter</code>	<i>10</i> , <u>158</u>	<code>\tocdatafont</code>	<u>23</u>
<code>\tdtextjustify</code>	<i>10</i> , <u>155</u>	<code>\tocdatasecprint</code>	<i>10</i> , <u>80</u>
<code>\tdtextleft</code>	<i>10</i> , <u>161</u>		



GREEK ALPHABET

Figure 9: Omega — The End